

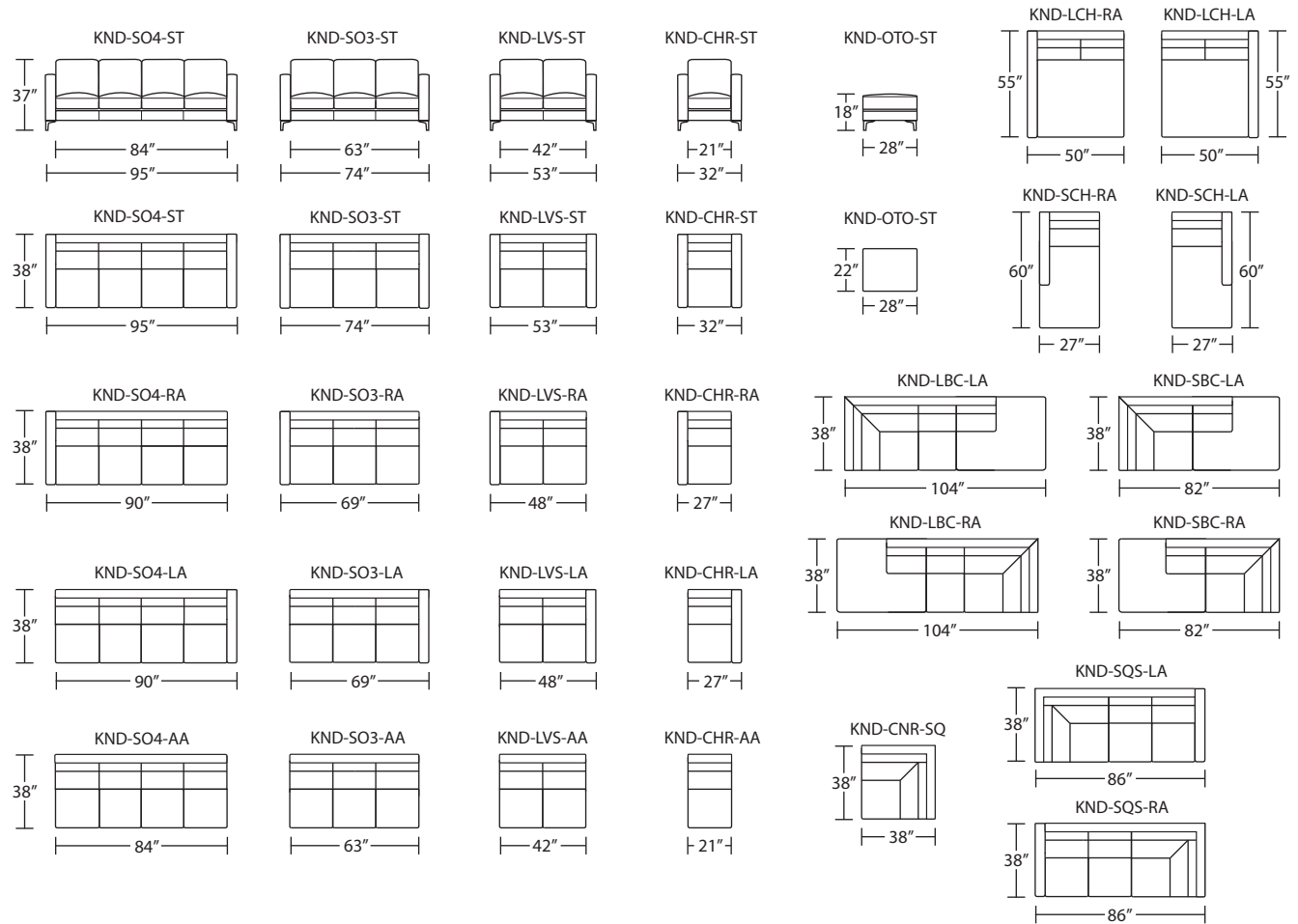
KENDALL

Standard Features:

- Advanced unidirectional suspension system
- Premium high-density, high-resiliency foam seats
- Quick-ship delivery
- Lifetime warranty on frame & suspension
- Single-needle top stitching
- Loose back & seat cushions
- Aluminum legs

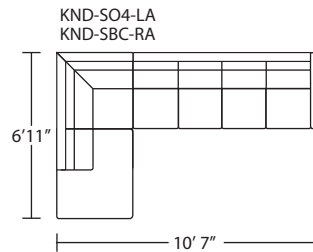
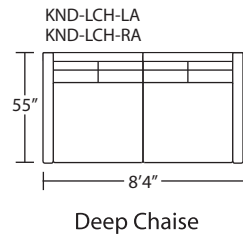
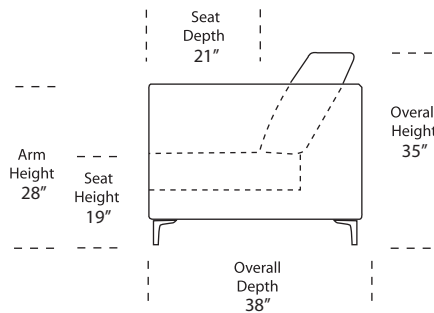
Options:

- Wood legs available in Acorn, Espresso or Walnut finish
- Extra firm premium high-density, high-resiliency foam seats
- Contrasting seat & back cushion available



Please use actual leather, fabric and Ultrasuede® swatches when specifying furniture as the colors shown may vary due to the printing process.

Suggested Configurations



Scale: 1/8 inch = 1 foot
 All dimensions are approximate and subject to change.
 Specify components from the sitting position.