

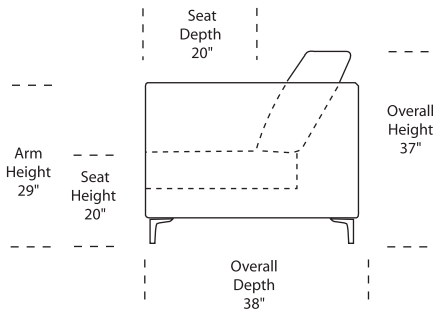
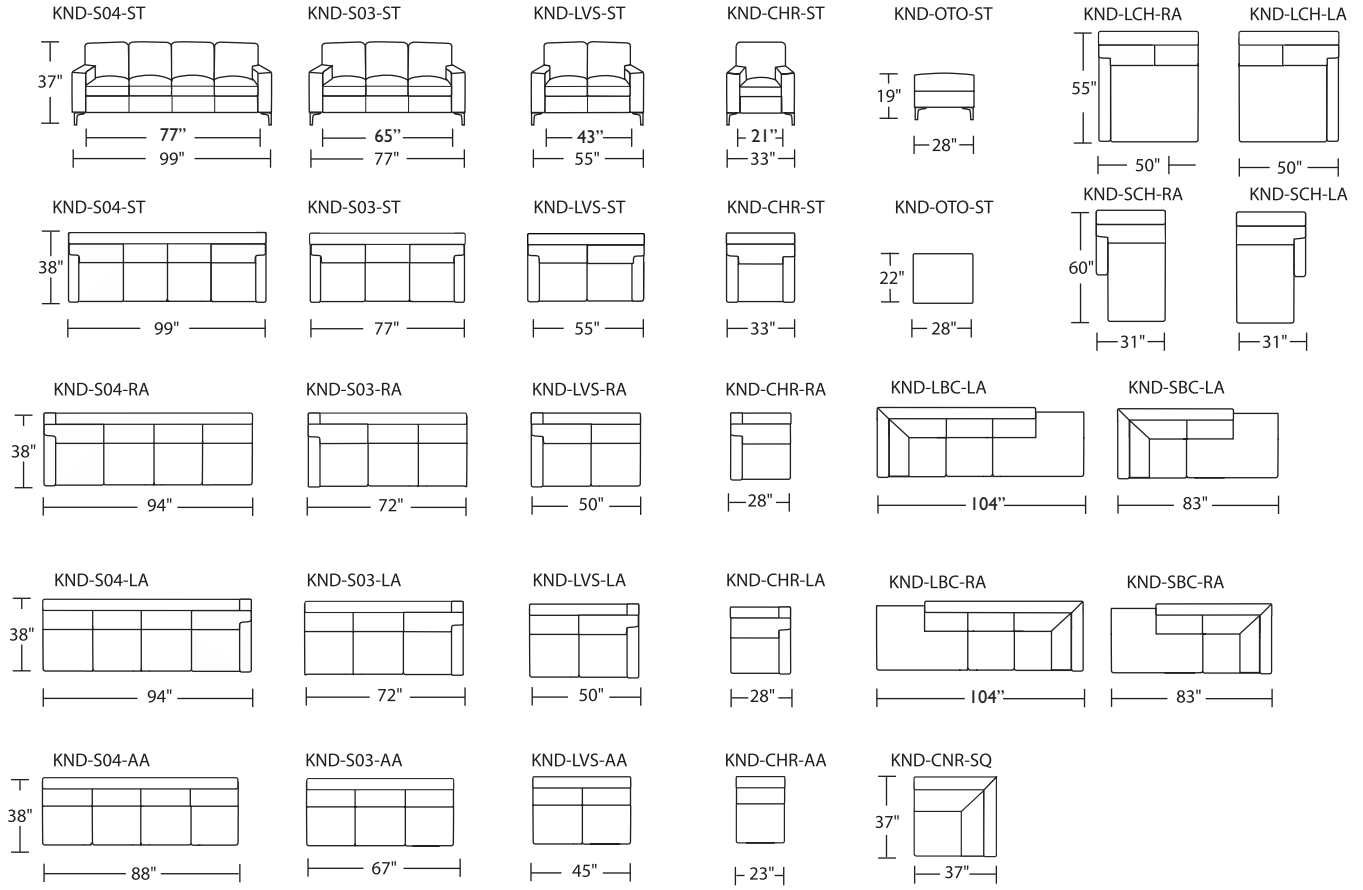
KENDALL

Standard Features:

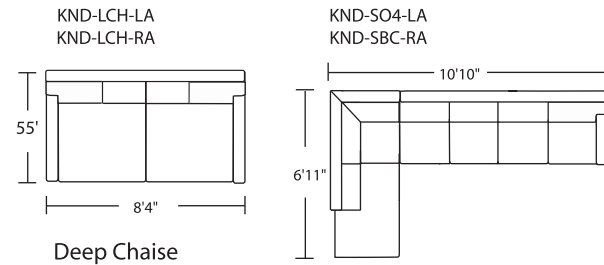
- Advanced unidirectional suspension system
- Premium high-density, high-resiliency foam seats
- Quick-ship delivery
- Lifetime warranty on frame & suspension
- Single-needle top stitching
- Loose back & seat cushions
- Aluminum legs

Options:

- Wood legs available in Acorn, Espresso or Walnut finish
- Extra firm premium high-density, high-resiliency foam seats
- Contrasting seat & back cushion available



Suggested Configurations



Scale: 1/8 inch = 1 foot
 All dimensions are approximate and subject to change.
 Specify components from the sitting position.